

## Rotating Angle Brackets

Aluminum, for Aluminum Profiles (b-Modular System)

### SPECIFICATION

#### Type

- Type **C**: With fastening set

Housing

Aluminum

Painted, white aluminum **AW**

Fastening set

Screws and T-slot nuts

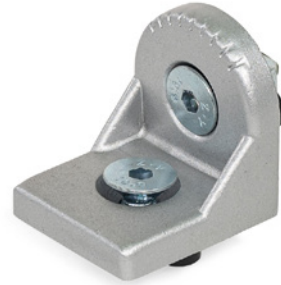
Steel, zinc plated, blue passivated **SZ**

Slot adapter (for  $l_1 = 28$ )

Plastic

Guide pins (for  $l_1 = 40$ )

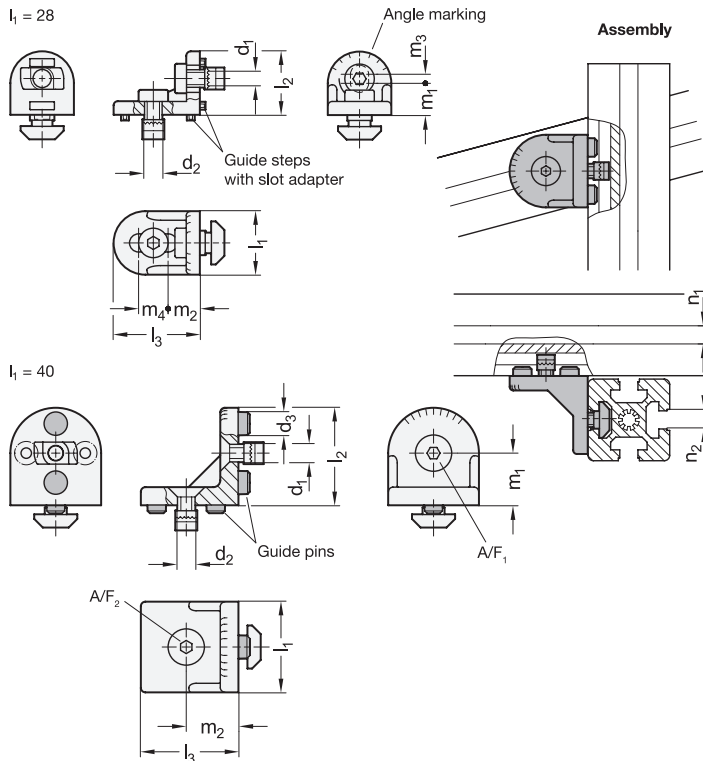
Plastic



### INFORMATION

Rotating angle brackets GN 41b connect two crossed aluminum profiles at an any angle. Machining of the profile is not necessary.

Depending on the installation situation for the rotating angle bracket, it may be necessary to break off the guide steps or leave out the guide pins.



### GN 41b

Description	$l_1$	$m_1$	$n_2$	$d_1$	$d_2$	$d_3$	$l_2$	$l_3$	$m_1$	$m_2$	$m_3$	$m_4$	A/F <sub>1</sub>	A/F <sub>2</sub>	Grid size	
GN 41b-281010-C-AWSZ	28	10	10	M 8	M 8	-	28	38	14.5	14.5	3.5	13	5	5	40 / 45	43
GN 41b-401010-C-AWSZ	40	10	10	M 8	M 8	10	42.5	42.5	22.5	22.5	-	-	5	5	45	77